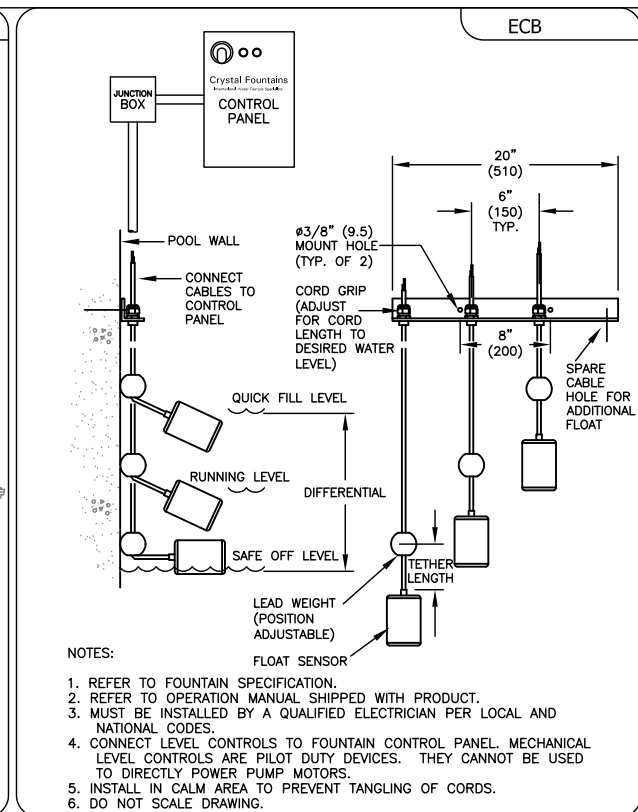


NOTES

- (1) REFER TO FOUNTAIN SPECIFICATION
- (2) REFER TO INSTALLATION INSTRUCTIONS SHIPPED WITH PRODUCT
- (3) DO NOT SCALE DRAWING

CRYSTAL FOUNTAINS
AVQ-SOLENOID FILL VALVE

ITEM NO.

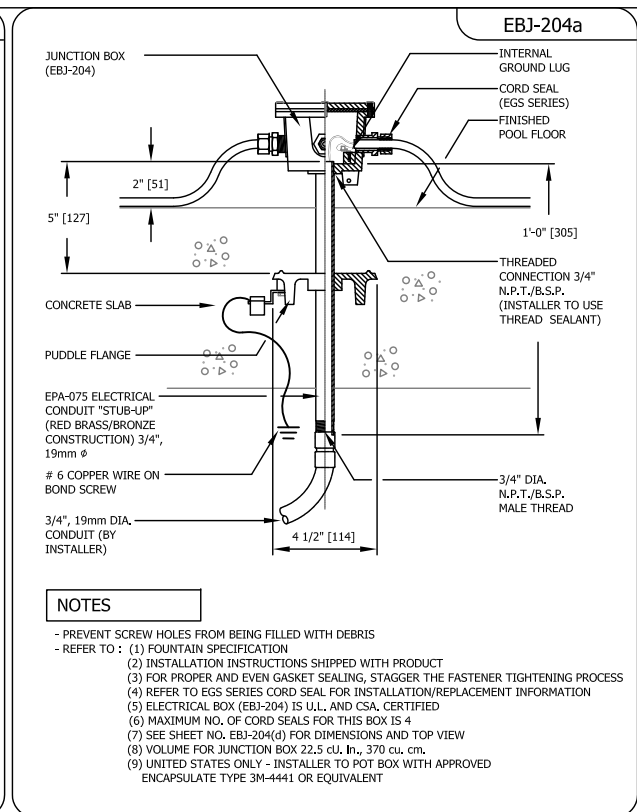


NOTES:

1. REFER TO FOUNTAIN SPECIFICATION.
2. REFER TO OPERATION MANUAL SHIPPED WITH PRODUCT.
3. MUST BE INSTALLED BY A QUALIFIED ELECTRICIAN PER LOCAL AND NATIONAL CODES.
4. CONNECT LEVEL CONTROLS TO FOUNTAIN CONTROL PANEL. MECHANICAL LEVEL CONTROLS ARE PILOT DUTY DEVICES. THEY CANNOT BE USED TO DIRECTLY POWER PUMP MOTORS.
5. INSTALL IN CALM AREA TO PREVENT TANGLING OF CORDS.
6. DO NOT SCALE DRAWING.

CRYSTAL FOUNTAINS
SUSPENDED LEVEL CONTROL

ITEM NO.

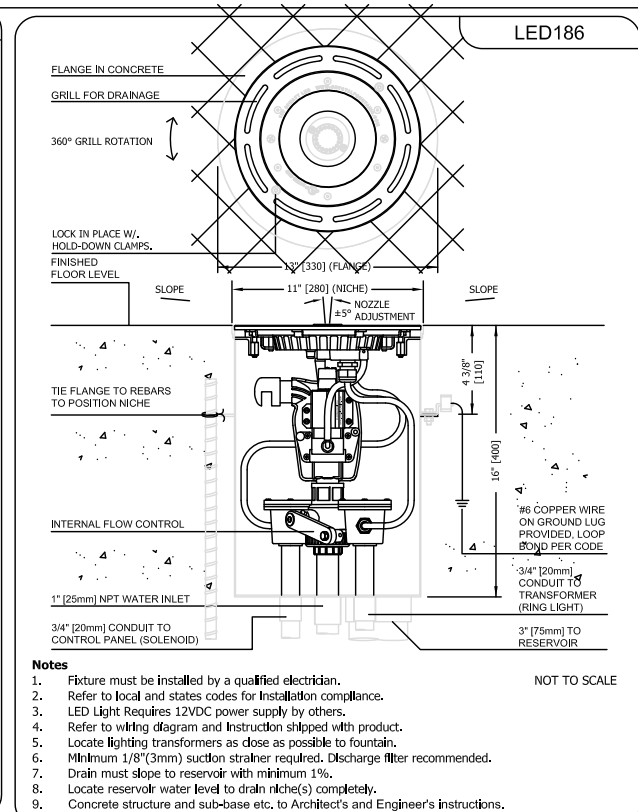


NOTES

- PREVENT SCREW HOLES FROM BEING FILLED WITH DEBRIS
- REFER TO : (1) FOUNTAIN SPECIFICATION
- (2) INSTALLATION INSTRUCTIONS SHIPPED WITH PRODUCT
- (3) FOR PROPER AND EVEN GASKET SEALING, STAGGER THE FASTENER TIGHTENING PROCESS
- (4) REFER TO EGS SERIES CORD SEAL FOR INSTALLATION/REPLACEMENT INFORMATION
- (5) ELECTRICAL BOX (EBJ-204) IS UL, AND CSA, CERTIFIED
- (6) MAXIMUM NO. OF CORD SEALS FOR THIS BOX IS 4
- (7) SEE SHEET NO. EBJ-204(d) FOR DIMENSIONS AND TOP VIEW
- (8) VOLUME FOR JUNCTION BOX 22.5 cu. in., 370 cu. cm.
- (9) UNITED STATES ONLY - INSTALLER TO POT BOX WITH APPROVED ENCAPSULATE TYPE 3M-4441 OR EQUIVALENT

CRYSTAL FOUNTAINS
SUBMERSIBLE JUNCTION BOX WITH STUB-UP

ITEM NO.



Notes

1. Fixture must be installed by a qualified electrician.
2. Refer to local and states codes for installation compliance.
3. LED Light Requires 12VDC power supply by others.
4. Refer to wiring diagram and instruction shipped with product.
5. Locate lighting transformers as close as possible to fountain.
6. Minimum 1/8\" (3mm) suction strainer required. Discharge filter recommended.
7. Drain must slope to reservoir with minimum 1%.
8. Locate reservoir water level to drain niche(s) completely.
9. Concrete structure and sub-base etc. to Architect's and Engineer's instructions.
10. Conduits, piping and fittings by others.

Foot Friendly Sequencing Deck with 12VDC / 30W RGB LED

ITEM NO.

NOT TO SCALE

1 INSTALLATION

SCALE: N.T.S.

PRELIMINARY
FOR DISCUSSION ONLY
NOT FOR CONSTRUCTION

